



PRODUCTS FOR

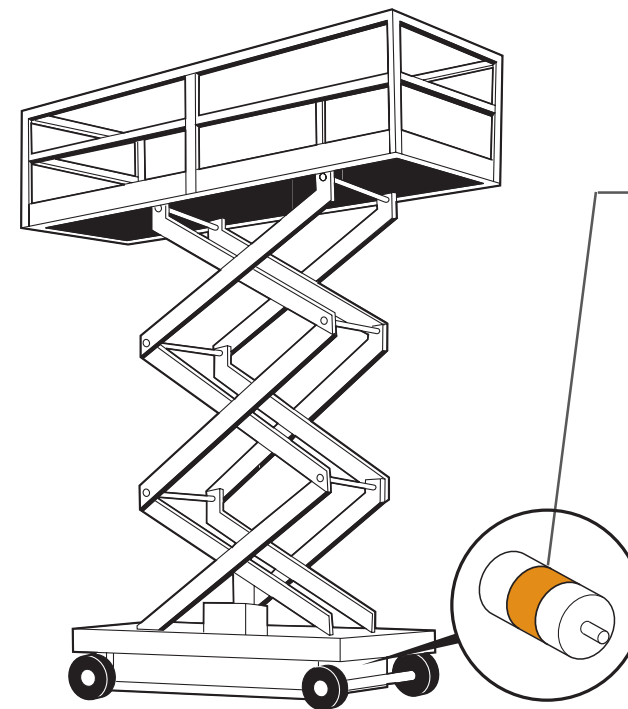
# INDUSTRIAL LIFTING AND MOVING

APPLICATION GUIDE

# NEXEN SOLUTIONS FOR STOPPING AND HOLDING OF HEAVY LOADS

Over the years industry has come to recognize Nexen's line of clutches and brakes for durability and reliability at economical prices. Our spring and air-engaged products provide more torque and last longer than comparable electrically-engaged units; we guarantee it. With over 200 standard products and unsurpassed custom engineering services for applications with special needs, we are sure that Nexen can solve your motion control problems.

## Lifts



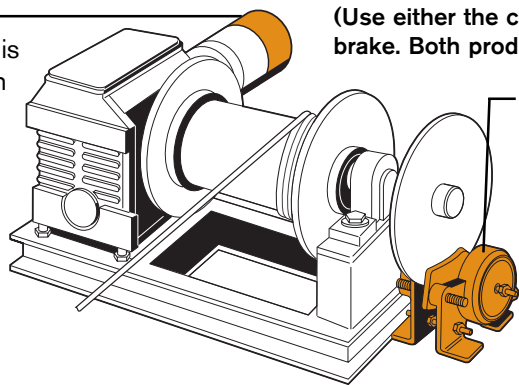
### AC Motor Brake

**Function:** Flange mounted and spring set, this brake provides quick stopping and positive holding to prevent sudden unwanted movement of the lift.

## Winches

### C-Faced Brake

**Function:** Flange mounted and spring set, this brake provides quick stopping and holding in any situation.



(Use either the c-faced brake or the caliper brake. Both products are not necessary.)

### Caliper Brake

**Function:** This spring-set brake positively stops and holds the spool during wind and unwind operations with heavy machinery.

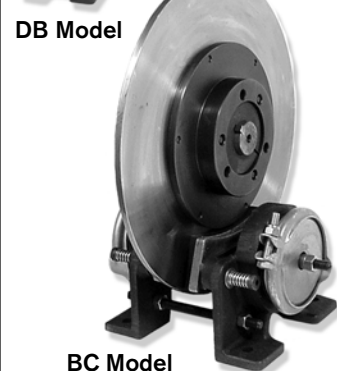
## Caliper Brakes

Nexen's caliper brakes are ideal for holding, e-stop, and controlled deceleration situations. Choose from large line of standard models, or we will custom design to fit your application.

- Torque range: 2–6214 Nm [20–55,000 in-lb]
- Air-engaged / Spring-released units
- Spring-engaged / Air-released units
- Disc diameters from 152–609 mm [6–24 in]
- Adjustable caliper spacing for various disc widths
- Detent pins for quick facing removal
- Simple design, easy to maintain
- Hydraulic models available



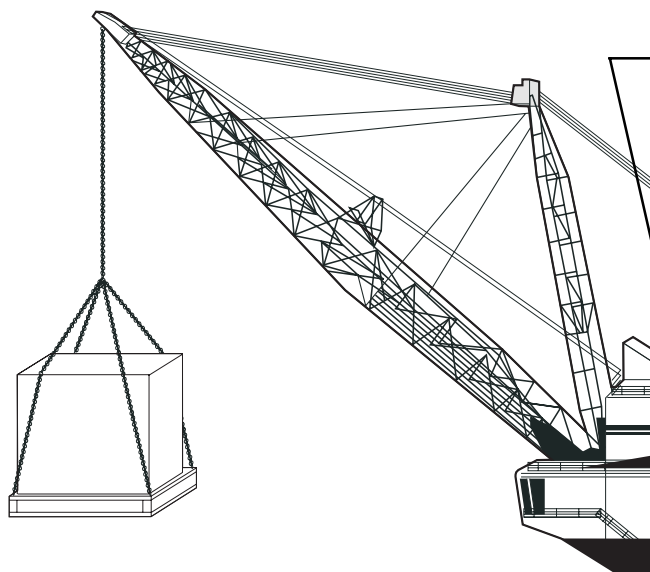
BD Hydraulic



DB Model

BC Model

## Cranes



### Tooth Clutch

**Function:** An essential component, this unit is used to regulate the release and recoiling of wire by securing the spool from movement.

## Spring-Engaged Brakes

Designed for use in e-stop, controlled deceleration, and holding applications, Nexen's spring-engaged brakes have a high dynamic torque capacity that ensures a fast load response time. When dealing with expensive equipment and heavy products, reliability is key. These rugged brakes protect both the machinery and the operator by providing positive holding of the load throughout each process.



TSE Model

## Servomotor Brake



Motor Brake

- Torque range: 2–6214 Nm [20–55,000 in-lb]
- Straight and tapered-bore shaft mounting
- Flange-mounted units
- Wide range of bore sizes
- NEMA C-face mounting
- Servomotor and motor brakes available
- Spring-engaged / Air-released brakes
- Few moving parts ensure dependability and durability with little maintenance needed
- Enclosed units for dirty, dusty or wet environments

## Spring-Engaged Brakes



5H30S Model



5HP-Enclosed

## Tooth Clutches

Nexen's tooth clutches provide fast nonslip engagement for applications where high torque is needed. Inexpensive to operate, maintain and repair, these clutches provide all the torque you need in a small package.

- Torque range: 2–6214 Nm [20–55,000 in-lb]
- Fits shaft diameters from 16–78 mm [ $\frac{5}{8}$ – $3\frac{1}{16}$  in]
- Positive no-slip engagement
- Single and multi-position models
- Pilot mount (sprocket mounting)
- Air-engaged / Spring-released units
- Available in standard open designs or as a totally enclosed unit

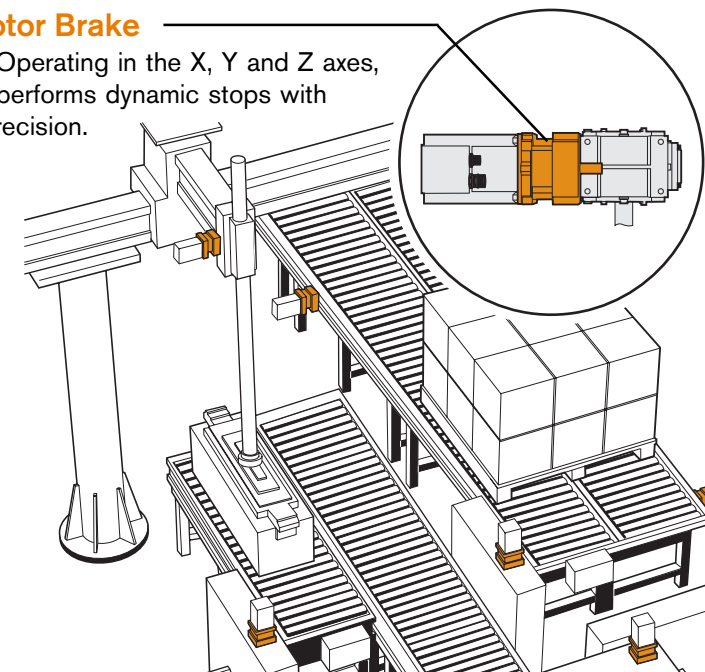


5HP Series

## Gantry System

### Servomotor Brake

**Function:** Operating in the X, Y and Z axes, this brake performs dynamic stops with superior precision.



## Air vs. Electric

Seven reasons why Nexen's air-engaged clutches and brakes are better than electric clutches and brakes.

- 1 > 30% Faster Response Time
- 2 > 40% More Dynamic Torque
- 3 > 30% More Thermal Horsepower
- 4 > Up to Six Times Longer Friction Facing Life
- 5 > Up to 60% Less Energy Consumption
- 6 > Up to 10% Savings on Unit Cost
- 7 > Up to 80% Savings in Repair Costs

**nexen**<sup>®</sup>

[www.nexengroup.com](http://www.nexengroup.com)

### Headquarters

Nexen Group, Inc.  
560 Oak Grove Parkway  
Vadnais Heights, MN 55127-8509  
Phone: 1-800-843-7445  
or 651-484-5900  
Fax: 651-286-1099

Nexen has worldwide offices in Europe, Asia, Australia, and Mexico. For the Nexen office nearest you, please consult the website listed above.



MEX (55) 53 63 23 31 MTY (81) 83 54 10 18  
QRO (442) 1 95 72 60 [ventas@industrialmagza.com](mailto:ventas@industrialmagza.com)

© Nexen Group, Inc. 2001  
ISO 9001 Certified

21152-A-1002